

VB-M641V & VB-M640V

Keep every angle covered

These 1.3 MP IK10 vandal resistant compact indoor dome cameras feature a bright f/1.2-1.8 IR corrected Super-UD lens with an ultra wide 111.5° angle of view for high quality imaging day or night.



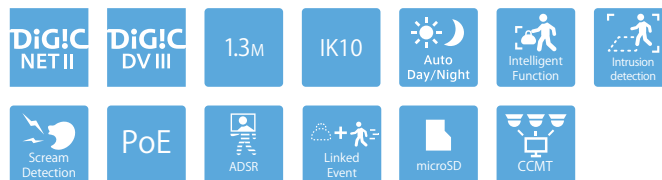
With recessed mount kit



- Compact, indoor, vandal-resistant domes with 1.3 MP high sensitivity CMOS sensor for high quality imaging
- Bright f/1.2-1.8 IR Corrected 2.4x zoom Super-UD lens with ultra wide 111.5° angle of view and superb low light performance
- Installation is easy thanks to remote PTRZ set up mechanism and cable connectors
- Improved bandwidth control and easy setting of area specific image quality with ADSR technology
- Industry leading range of inbuilt analytics functions enhanced with the addition of Intruder and Scream detection

Product Range

VB-M641V
VB-M640V
VB-H630D
VB-M620D



(Scream Detection & Linked Events - VB-M641V only)

Technical Specifications

VB-M641V & VB-M640V

	VB-M641V	VB-M640V
CAMERA		
Image Sensor	1/3 type CMOS (primary color filter)	
Number of Effective Pixels	Approx. 1.3 million pixels	
Scanning Method	Progressive	
Lens	2.4 optical zoom (4x digital zoom) lens (electric drive)	
Focal Length	2.55 (W) - 6.12 mm (T)	
F-number	F1.2 (W) - F1.8 (T)	
Viewing Angle	For 16:9 aspect ratios: Horizontal: 111.5° (W) - 46.2° (T) Vertical: 60.5° (W) - 25.9° (T) For 4:3 aspect ratios: Horizontal: 111.5° (W) - 46.2° (T) Vertical: 81.7° (W) - 34.6° (T)	
Day/Night Switch	Auto / Day Mode / Night Mode	
Min. Subject Illumination	(F1.2, shutter speed 1/30 sec., when smart shade control is off, 50IRE) Day Mode (colour): 0.02 lux Night Mode (mono): 0.001 lux When using the Dome Unit (Smoked) (sold separately) Day Mode (colour): 0.04 lux Night Mode (mono): 0.002 lux	
Focus	Auto/One-shot AF/Manual/Fixed at infinity	
Shooting Distance (from front of lens)	Day Mode: 0.3 m (12 in.) - infinity Night Mode: 0.3 m (12 in.) - infinity	
Shutter Speed	1, 1/2, 1/4, 1/8, 1/15, 1/30, 1/50, 1/60, 1/100, 1/120, 1/250, 1/500, 1/1000, 1/2000, 1/4000, 1/8000, 1/10000, 1/16000 sec.	
Exposure	Auto / Auto (Flickerless) / Auto (Shutter-priority AE) / Manual (Shutter Speed, Aperture, Gain)	
White Balance	Auto / Light Source/Manual Light Source: Daylight Fluorescent / White Fluorescent / Warm Fluorescent / Mercury Lamp / Sodium Lamp / Halogen Lamp Manual: One-shot WB / R Gain / B Gain	
Metering Mode	Center-Weighted / Average / Spot	
Exposure Compensation	9 levels	
Smart Shade Control	Auto / Manual / Disable Auto: 3 levels Manual: 7 levels - Brightens shaded areas of a video	
Haze Compensation	Auto/Manual / Disable Auto: 3 levels Manual: 7 levels	
AGC Limit	6 levels	
Image Stabilizer	2 levels (digital)	
Pan Angle Range	350° (±175°)	
Tilt Angle Range	150° (±75°)	
Rotation Angle Range	350° (±175°)	
Moving Speed	Pan: 20.1°/sec. Tilt: 20.7°/sec. Rotation: 40.0°/sec. - When Using Camera Angle Setting Tool	
SERVER		
Video Compression Method	JPEG, H.264	
Video Size	JPEG, H.264: 1280 x 720, 640 x 360, 320 x 180 1280 x 960, 640 x 480, 320 x 240	
Video Quality	JPEG, H.264: 10 levels	
Frame Rate	JPEG: 0.1 - 30 fps H.264: 1 / 2 / 3 / 5 / 6 / 10 / 15 / 30 fps - Values represent streaming performance from the camera. - The frame rate may be reduced due to Viewer computer's specs, the number of clients accessing at the same time, network loads, video quality setting, type or movement of the subject or other reasons. Maximum frame rate when used in the following combinations: When streaming H.264(1) (1280 x 720) and H.264(2) (1280 x 720) simultaneously: 15 fps When streaming H.264(1) (1280 x 960) and H.264(2) (1280 x 960) simultaneously: 15 fps	
I-Frame Interval	0.5 / 1 / 1.5 / 2 / 3 / 4 / 5 sec.	
Simultaneous Client Access	Max. 30 Clients + 1 Admin Client - H.264: Max. 10 Clients	
Bit Rate Control	Target Bit Rate: 64 / 128 / 256 / 384 / 512 / 768 / 1024 / 1536 / 2048 / 3072 / 4096 / 6144 / 8192 / 10240 / 12288 / 14336 / 16384 kbps	
ADSR: Area-specific Data Size Reduction	Number of Specified Areas: Max. 8 areas Data Size Reduction Level: 3 levels	

	VB-M641V	VB-M640V
Security		
	Camera Control: Administrator, Authorized user, Guest user (level of control varies depending on user) Access Control: User authority (user name and password), Host Access Restrictions (IPv4, IPv6) IEEE802.1X: EAP-MD5, EAP-TLS, EAP-TTLS, EAP-PEAP Encrypted Communications: SSL/TLS, IPsec	
Protocol	IPv4, IPv6, TCP/IP, UDP, HTTP, FTP, SNMPv1/v2c/v3 (MIB2), DHCP, DNS, AutoIP, mDNS, ARP, ICMP, POP3, NTP, SMTP, RTP/RTCP, RTSP, SSL/TLS, IPsec, ONVIF, WV-HTTP (Canon proprietary)	
Audio Compression Method	G.711 µ-law (64 kbps)	-
Audio Communication Method	Full-duplex (two-way) - Echo cancellation function compliant RTP, Sound Transfer Protocol by Canon	-
Audio File Playback	Available (audio files can be played back when an event is triggered by the intelligent function or external device input.) - A third-party amplifier speaker is necessary	-
Privacy Mask	Number of registration: Max. 8 places, Number of mask colors: 1 (select from 9 colors)	
Preset	Number of registers: Max. 20 positions (+Home Position) Items to Reg.: Digital Pan / Digital Tilt / Digital Zoom, Exposure, Smart Shade Control, Focus, White Balance, Video Quality Adjustment, Day / Night, Haze Compensation Number of Preset Tour Route: Max. 1	
Intelligent Function (Video)	Detection Types: Moving Object Detection, Abandoned Object Detection, Removed Object Detection, Camera Tampering Detection, Passing Detection, Intrusion Detection Detection Settings: Max. 15 Non-detection Area Settings: Available	
Intelligent Function (Audio)	Volume Detection, Scream Detection	-
Event Trigger Type	External Device Input, Intelligent Function (Video), Intelligent Function (Audio), Timer, Day / Night Switch Number of Linked Events: 2 Linked Event Conditions: AND, OR (whether or not there is a sequence to events)	Intelligent Function (Video), Timer, Day/Night Switch
Image Upload	FTP/HTTP/SMTP (e-mail)	
Event Notification	HTTP/SMTP (e-mail)	
Image Cropping Function	Digital PTZ Cropping sizes: 640 x 360 / 512 x 288 / 384 x 216 / 256 x 144 / 128 x 72 640 x 480 / 512 x 384 / 384 x 288 / 256 x 192 / 128 x 96	
On-Screen Display	Available	
Daylight Saving Time	Available	
APPLICATION		
Viewer	Camera Viewer Mobile Camera Viewer	
Included Software	Camera Management Tool RM-Lite Recorded Video Utility	
Language	German / English / Spanish / French / Italian / Polish / Russian / Turkish / Chinese (Simplified) / Japanese	
Operating System/Compatible Browser	Windows Vista, Internet Explorer 9 Windows 7, Internet Explorer 11/Chrome 54 Windows 8.1, Internet Explorer 11/Chrome 54 Windows 10, Internet Explorer 11/Microsoft Edge/Chrome 54 Windows Server 2008, Internet Explorer 9 Windows Server 2008 R2, Internet Explorer 11/Chrome 54 Windows Server 2012, Internet Explorer 10/Chrome 54 Windows Server 2012 R2, Internet Explorer 11/Chrome 54 Windows Server 2016, Internet Explorer 11/Chrome 54	
Verified Mobile Devices	Surface, iPad, iPhone, Nexus, Galaxy	

Technical Specifications

VB-M641V & VB-M640V

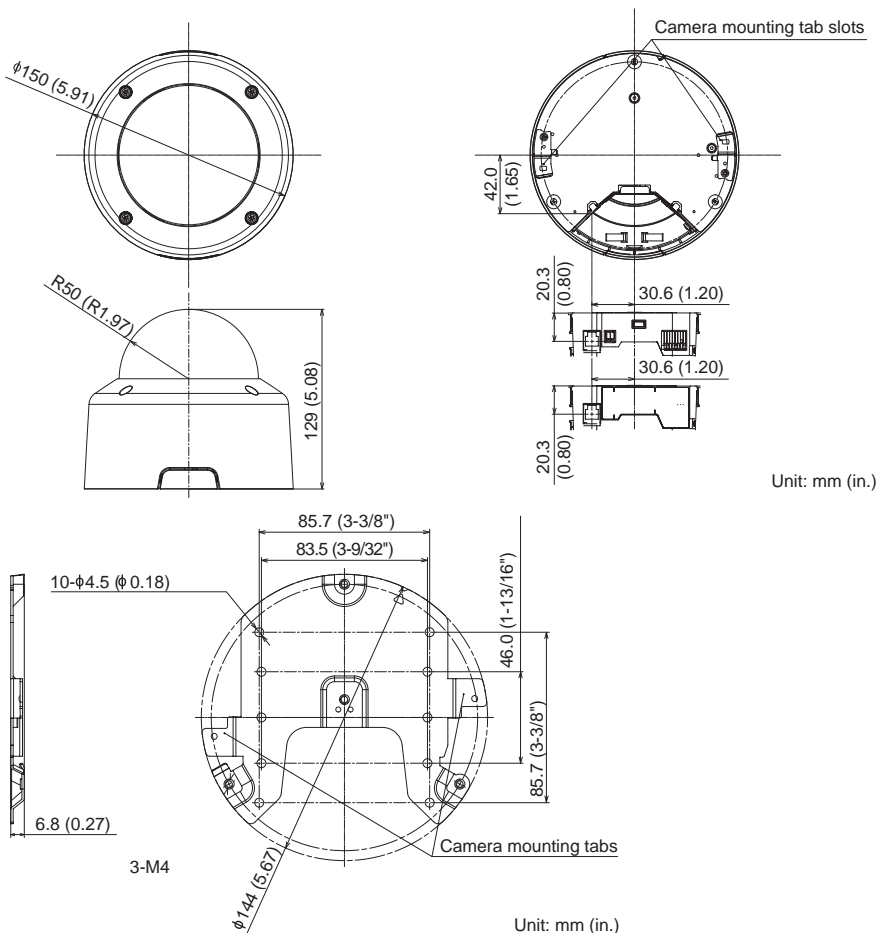
	VB-M641V	VB-M640V
INTERFACE		
Network Terminal	LAN x1 (RJ45, 100Base-TX (auto / full-duplex / half-duplex))	
Audio Input Terminal (common for LINE IN & MIC IN)	<p>φ3.5 mm (φ0.14 in.) mini-jack connector (monaural)</p> <p>LINE IN (connect to an amplifier microphone) or MIC IN (connect to a microphone w/o amplifier)</p> <p>- Switch LINE IN / MIC IN in the setting page.</p> <p>Use the included interface cable</p>	-
Audio Output Terminal (LINE OUT)	<p>φ3.5 mm (φ0.14 in.) mini-jack connector (monaural)</p> <p>LINE OUT (connect to an amplifier speaker)</p> <p>Use the included interface cable</p>	-
External Device I/O Terminal	Input x 2, Output x 2	-
Memory Card	<p>microSD Memory Card, microSDHC Memory Card, microSDXC Memory Card Compatible.</p> <p>Recorded Content: Log, Video (Event, Manual, ONVIF, Timer, Upload)</p> <p>Frame Rate: Max. 1 fps (JPEG)</p> <p>Max. 30 fps (H.264)</p>	

	VB-M641V	VB-M640V
OTHER		
Operating Environment	<p>Temperature AC, DC, PoE: -10°C ~ +50°C (+14°F ~ +122°F)</p> <p>Humidity 5% ~ 85% (without condensation)</p>	
Power Supply	PoE: PoE power supply via LAN connector (IEEE802.3at Type 1 compliant) AC Adapter: PA-V18 (100 - 240 V AC) (sold separately) External power source: 24 V AC/12 V DC	PoE: PoE power supply via LAN connector (IEEE802.3at Type1 compliant)
Power Consumption	PoE: Max. approx. 8.4 W AC Adapter PA-V18: Max. approx. 9.8 W (100 V AC) Max. approx. 9.8 W (240 V AC) DC: Max. approx. 8.7 W AC: Max. approx. 8.1 W	PoE: Max. approx. 8.4 W
Dimensions	<p>(φ x H) φ150 x 129 mm (φ5.91 x 5.08 in.)</p> <p>- Camera only (excluding Ceiling Plate)</p>	
Weight	Approx. 910 g (2.01 lb.)	Approx. 900 g (1.99 lb.)
Impact Resistance	IK10 (20J)	
International Standard	EN55032 Class B, FCC part15 subpart B Class B, ICES-003 Class B, VCCI Class B, RCM AS/NZS EN55022 Class B, KN22 Class B, EN55024, KN24, EN50581 IEC/UL/EN60950-1, EN50130-4, IEC/UL/EN62262 IK10	EN55032 Class B, FCC part15 subpart B Class B, ICES-003 Class B, VCCI Class B, RCM AS/NZS EN55022 Class B, EN55024, EN50581 IEC/UL/EN60950-1, EN50130-4, IEC/UL/EN62262 IK10

What's in the box?

- Setup CD-ROM
- Ceiling Plate
- Fixing Screws
- Safety Wire & Fixing Screw
- Wrench
- Template
- Power Connector
- Audio Interface Cable
- Installation Guide
- Warranty Card
- Leaflet of Warranty Card
- Packaging

Dimensions



Compatible Accessories



Keep every angle covered

VB-M641V & VB-M640V

These 1.3 MP IK10 vandal resistant compact indoor dome cameras feature a bright f/1.2-1.8 IR corrected Super-UD lens with an ultra wide 111.5° angle of view for high quality imaging day or night.



Sales Start Date: July 2015

Product Details:

Product Name	Mercury Code	EAN Code
Network Camera VB-M641V	0309C001AB	4549292032505
Network Camera VB-M640V	0311C001AB	4549292032529

Optional Accessories:

Product Name	Mercury Code	EAN Code
Recessed Mounting Kit SR640-S-VB	0715C001AA	4549292043495
Plenum Recessed Mounting SR640-P-VB	0717C001AA	4549292043518
Pendant Mounting Kit PC640-VB	0719C001AA	4549292043532
Smoked Dome Unit DU640-S-VB	0722C001AA	4549292043563
AC Adapter PA-V18 (E)	8362B002AA	4960999986791
AC Adapter PA-V17 (GB)	2245B003AA	4960999480206

Measurement / Logistic Information:

Product Name	Mercury code	Pack type	Pack description	Quantity per pack	Length (mm)	Width (mm)	Height (mm)	Net Weight (kg)	Gross Weight (kg)
Network Camera VB-M641V	0309C001AB	EA	Each	1	248	248	257	0.9	1.9
		CT	Carton	2	277	518	284	1.8	
		EP	Euro Pallet	18				16.0	
Network Camera VB-M640V	0311C001AB	EA	Each	1	248	248	257	0.9	1.8
		CT	Carton	2	277	518	284	1.8	
		EP	Euro Pallet	18				15.8	