



## Dahua HD IR Network Dome Camera Quick Start Guide

Version 1.0.0

Zhejiang Dahua Vision Technology CO., LTD

## Welcome

Thank you for purchasing our Network camera!

This user's manual is designed to be a reference tool for your system.

Please read the following safeguard and warnings carefully before you use this series product!

Please keep this user's manual well for future reference!

## Important Safeguards and Warnings

### 1 . Electrical safety

- All installation and operation here should conform to your local electrical safety codes.
- Please check if the power supply is correct before operating the device.
- The power shall conform to the requirement in the SELV (Safety Extra Low Voltage) and the Limited power source is rated 12V DC, DC5V or AC24V in the IEC60950-1. (Power supply requirement is subject to the device label).
- Please install easy-to-use device for power off before installing wiring, which is for emergent power off when necessary.
- Please prevent the line cord from being trampled or pressed, especially the plug, power socket and the junction from the device.

**Note: Do not connect these two power supplying sources to the device at the same time; it may result in device damage!**

We assume no liability or responsibility for all the fires or electrical shock caused by improper handling or installation.

We are not liable for any problems caused by unauthorized modification or attempted repair.

### 2 . Environment

- Please don't aim the device at strong light (such as lighting, sunlight and so on) to focus; otherwise it may cause overexposure (It is not the device malfunction), which will affect the longevity of CCD or CMOS.
- Please transport, use and store the device within the range of allowed humidity and temperature.
- Please don't keep the device in a place which is wet, dusty, extremely hot, and extremely cold and with strong electromagnetic radiation or unstable lighting.
- Please do not allow water and other liquid falling into the camera in case that the internal components are damaged.
- Please do not allow rain or damp to the indoor device in case fire or lightning may occur.
- Please keep the sound ventilation in case of heat accumulation.
- Please pack the device with standard factory packaging or material with same quality when transporting the device.
- Heavy stress, violent vibration or water splash are not allowed during transportation, storage and installation.

### 3. Operation and Daily Maintenance

- Please do not touch the heat dissipation component of the device directly in order to avoid scald.
- Please do not dismantle the device; there is no component which can be fixed by users themselves in the machine. It may cause water leakage or bad image for the device due to unprofessional dismantling.
- It is recommended to use the device with thunder proof device in order to improve thunder proof effect.
- The grounding holes of the product are recommended to be grounded to further enhance the reliability of the camera.
- Do not touch the CCD (CMOS) optic component directly. You can use the blower to clean the dust or dirt on the lens surface. Please use a dry cloth wetted by alcohol to wipe away the dust gently if it is necessary to clean.
- Always use the dry soft cloth to clean the device. If there is too much dust, please use the water to dilute the mild detergent first and then use it to clean the device. Finally use the dry cloth to clean the device. Don't use volatile solvent like alcohol, benzene, thinner and etc or strong detergent with abrasiveness, otherwise it will damage the surface coating or reduce the working performance of the device.
- Dome cover is an optical device, please don't touch or wipe cover surface directly during installation and use, please refer to the following methods to deal with once dirt is found:
  - Stained with dirt
    - Use oil-free soft brush or hair dries to remove it gently.
  - Stained with grease or fingerprint
    - Use soft cloth to wipe the water drop or oil gently to make it dry, then use oil-free cotton cloth or paper soaked with alcohol or detergent to wipe from the lens center to outward. It is ok to change the cloth and wipe several times if it is not clean enough.

## Warning

- Please use the standard accessories provided by manufacturer and make sure the device is installed and fixed by professional engineers.
- Please prevent the device surface from the radiation of laser beam when using laser beam device.
- Please do not provide two or more power supply modes for the device, otherwise it may cause damage to the device.

## Statement

- Please refer to the actual product for more details; the manual is just for reference.
- Please check if the version of reader is the latest or try to use mainstream reader if it fails to open PDF in the disk.
- The manual will be regularly upgraded according to the product update; the upgraded content will be added in the manual without prior announcement.
- Please contact the supplier or customer service if there is any problem occurred when using the device.



- Please contact the customer service for the latest procedure and supplementary documentation.
- There may be deviation between the actual value of some data and the value provided in the manual due to the reasons such as the real environment is not stable and so on. Please refer to the company's final explanation if there is any doubt or dispute.
- The company is not liable for any loss caused by the operation which is not followed by the manual.

## FCC Information

### 1. FCC conditions:

This device complies with part 15 of the FCC Rules. Operation is subject to the following two conditions:

- This device may not cause harmful interference;
- This device must accept any interference received, including interference that may cause undesired operation.

### 2. FCC compliance:

This equipment has been tested and found to comply with the limits for a digital device, pursuant to part 15 of the FCC Rules. These limits are designed to provide reasonable protection against harmful interference. This equipment generates uses and can radiate radio frequency energy and, if not installed and used in accordance with the instruction manual, may cause harmful interference to radio communication. However, there is no guarantee that interference will not occur in a particular installation. If this equipment does cause harmful interference to radio or television reception, which can be determined by turning the equipment off and on, the user is encouraged to try to correct the interference by one or more of the following measures:

- Reorient or relocate the receiving antenna.
- Increase the separation between the equipment and receiver.
- Connect the equipment into an outlet on a circuit different from that to which the receiver is connected.
- Consult the dealer or an experienced radio/TV technician for help.

## Note:

Please refer to the disk for more details, check and download corresponding user's manual and tool.

Before installation, please open the package and check all the components are included.

Contact your local retailer ASAP if something is broken in your package.

Accessory Name	Amount
Network Camera Unit	1
Quick Start Guide	1
Installation Accessories Bag	1
CD	1

## Table of Contents

1	Device Structure .....	1
1.1	Structure Components.....	1
1.2	Framework and Dimension .....	2
2	Device Installation .....	3
2.1	Installation Steps .....	3
3	Network Configuration .....	7
3.1	Modify IP Address .....	7
3.2	Login WEB Interface .....	9

# 1 Device Structure

## 1.1 Structure Components

**Note:**

The following figures are for reference only, which are used to know each structure component and cable port functions.

Different devices may have different structures and cables, please refer to the following figures according to the actual product.

You can refer to the following figures for multiple-function combination cable information. See Figure 1- and Figure 1-2.

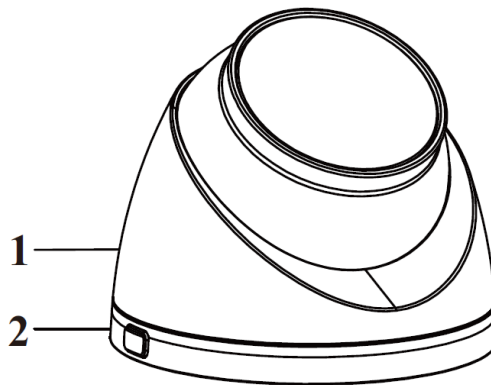


Figure 1-1

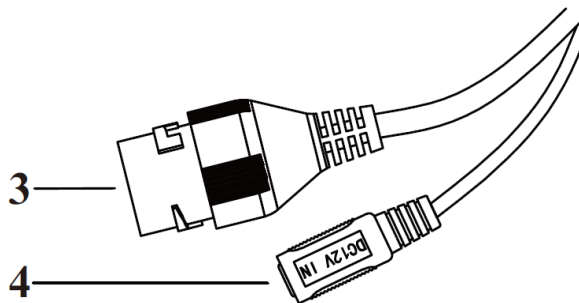


Figure 1-2

Please refer to the following sheet for detailed information about structure appearance.

Component	Component Name
1	Dome enclosure
2	Dome pedestal

Sheet 1-1

Please refer to the following sheet for detailed information about cable port.

SN	Port	Port Name	Connector	Function Description
3	LAN	Network port	Ethernet port	Connect to standard Ethernet cable Note: Some devices don't support PoE

SN	Port	Port Name	Connector	Function Description
4	DC 12V	12V DC power	-	Connect DC 12V power, input power

Sheet 1-2

## 1.2 Framework and Dimension

The following figures are for reference only, which are used to know the device dimension, please refer to Figure 1-3 and Figure 1-4 according to the actual product.

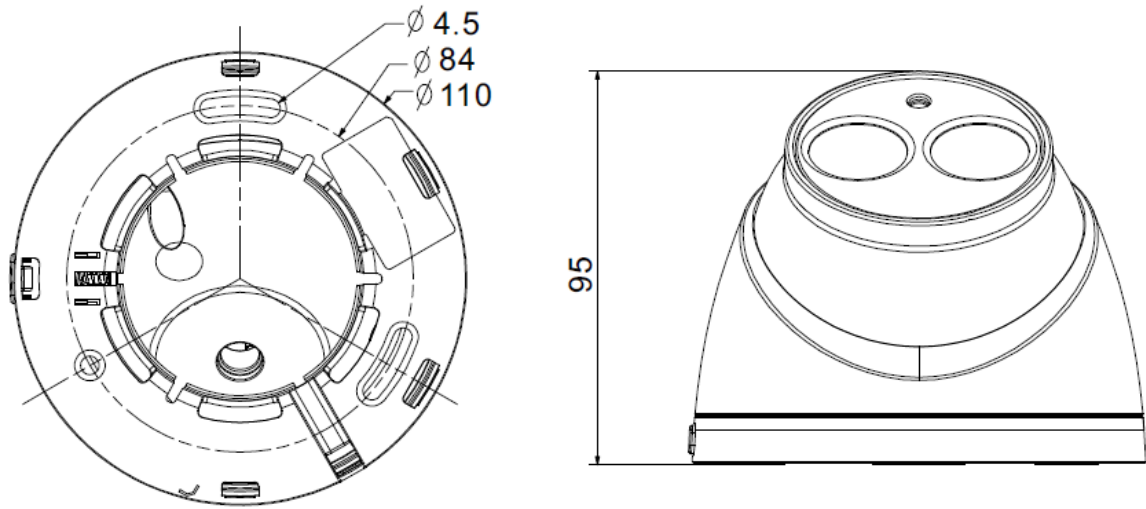


Figure 1-3

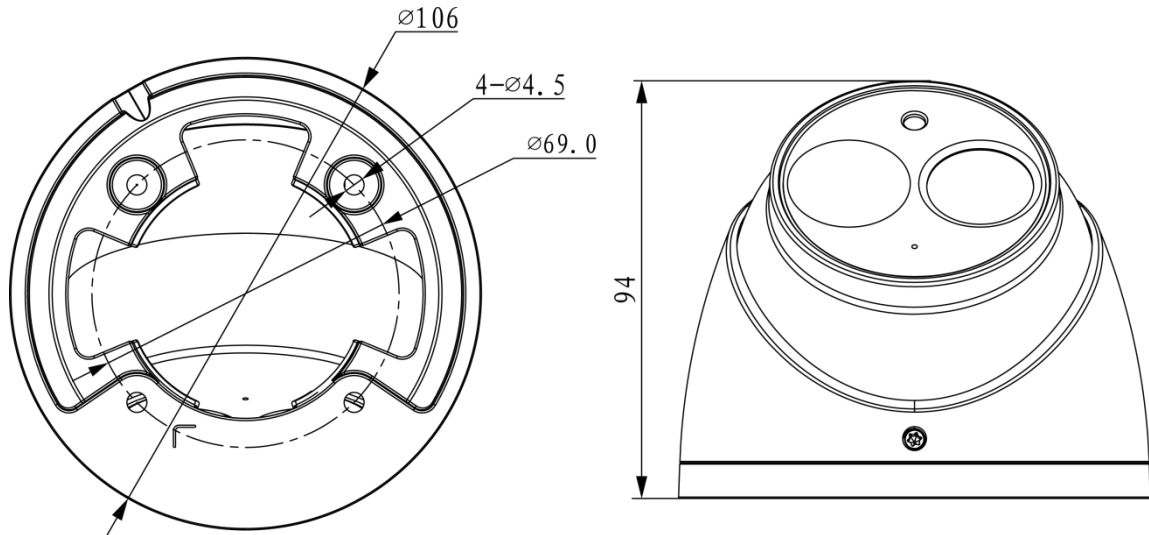


Figure 1-4

## 2 Device Installation

### 2.1 Installation Steps

**Note:**

- The installation figures are for reference only, please refer to figure 2-1(a) or 2-2(b) according to the actual product.
- Before the installation, please make sure the installation environments can at least support 3x weight of the camera and the bracket.

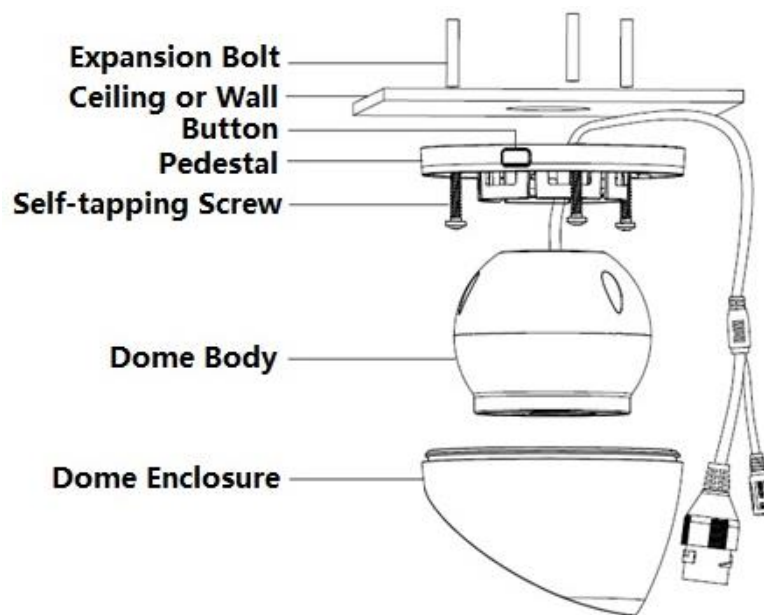


Figure 2-1 (a)



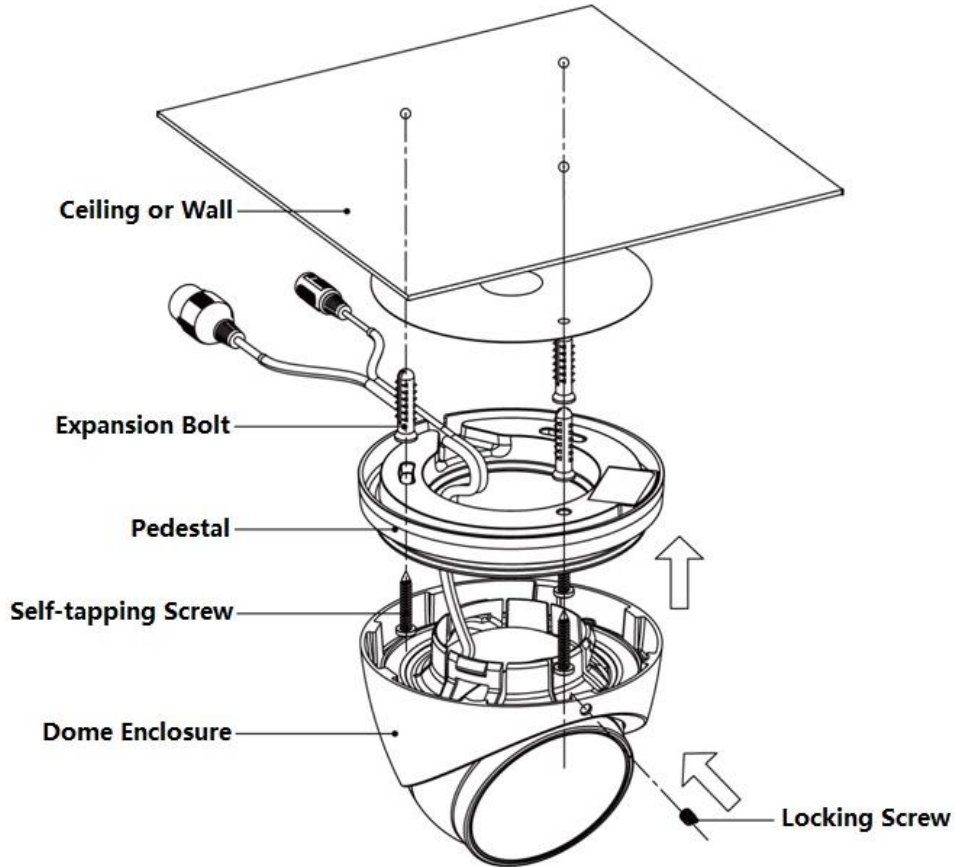


Figure 2-2 (b)

**Step 1**

Please take out the installation position map in the accessories bag, and then stick it on the ceiling or the wall.

**Step 2**

Dig bottom holes according to the installation position map and then insert three expansion bolts into the bottom holes. Secure these three bolts firmly.

**Step 3**

Disassemble the device

- For the device shown in Figure2-1 (a), the steps of disassembling the device are as follows:  
 Step 1 Press the button on the pedestal to make it expand.  
 Step 2 Press the dome enclosure down the cable exit to separate the pedestal and the dome enclosure and disassemble the device.

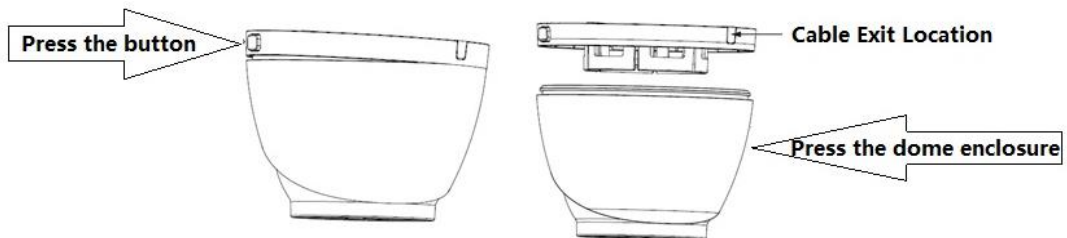


Figure 2-3

- For the device shown in Figure 2-2 (b), loosen the locking screw, pull the enclosure downward, and then disassemble the device.

**Step 4**

Select run the wire through bottom or side, and insert multi-function cable into exit hole on installation surface.

Bottom wiring: select to lead out the cable through ceiling or wall, which can protect the cable effectively.

Side wiring: select to lead out the cable through side exit and add metal conduit and etc, which can prevent the cable from being destroyed.

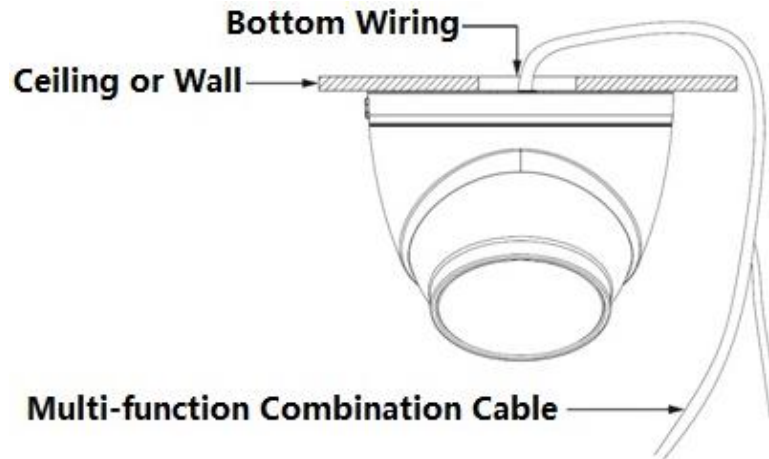


Figure 2-4

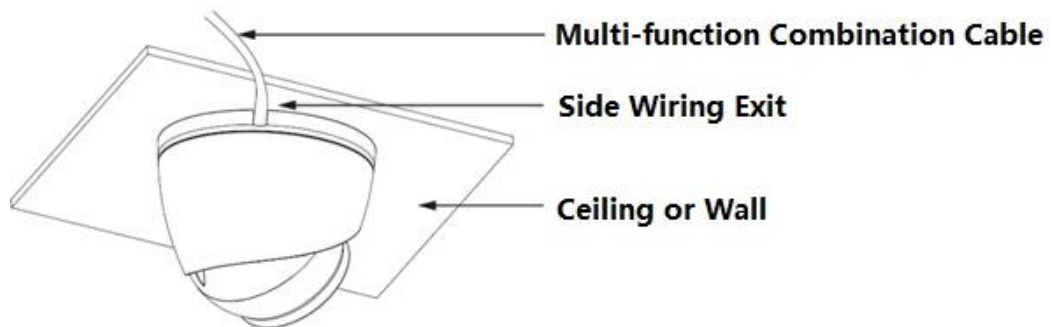


Figure 2-5

**Step 5**

Adjust pedestal position, aim at bottom hole. Take out three ST4.2 self-tapping screws in accessories bag. Insert them into the plastic expansion bolt bottom hole and fix the pedestal on installation surface.

**Step 6**

Waterproof connector installation for network port; see Figure 2-6 for more details.

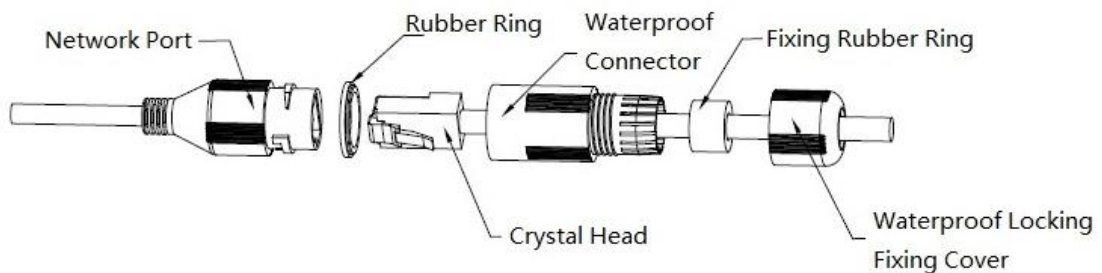


Figure 2-6

1. Keep the convex groove outward and install the rubber ring into the network port, keep the smaller hole of the rubber ring outward and install the fixing rubber ring into the main body of the waterproof connector.
2. Pull the network cable without crystal head through main body of waterproof connector, fixing rubber ring and waterproof locking cover, make the crystal head of network cable, and then insert it into the network cable.
3. Put the main body of waterproof connector on the network port and rotate it clockwise to lock the network port and waterproof connector firmly.
4. Put the waterproof locking cover on the main body of waterproof connector and rotate it clockwise to lock the waterproof connector and waterproof locking cover firmly.

## 3 Network Configuration

The IP address of all the cameras is the same when leaving factory (default IP192.168.1.108), in order to make the camera get access to the network smoothly, please plan the useable IP segment reasonably according to the actual network environment.

### 3.1 Modify IP Address

IP address can be acquired and modified through quick configuration tool for the cameras which are accessed via wired network, it needs to connect wired network to configure wireless parameters before using wireless network cameras. In this chapter, it will introduce the approach of modifying IP address via “Quick Configuration Tool”; also you can modify the IP address in the network parameters of the WEB interface, please refer to the document in the disk << WEB Operation Manual>> for more details.

Note:

Currently the quick configuration tool only supports the cameras which apply to the same network segment with computer IP address.

Step 1

Double click the “ConfigTools.exe” and open the quick configuration tool.

Step 2

Double click the device to be configured; the system will pop out the “Login” dialog box which is shown in Figure 3-1.

Step 3

Enter the IP address user name, password and port number of the camera, and click “Confirm”, then the system will pop out “Configuration” dialogue box.

Note:

The default user name and password are admin and admin respectively, the default port is 37777. See Figure 3-1 for more details.

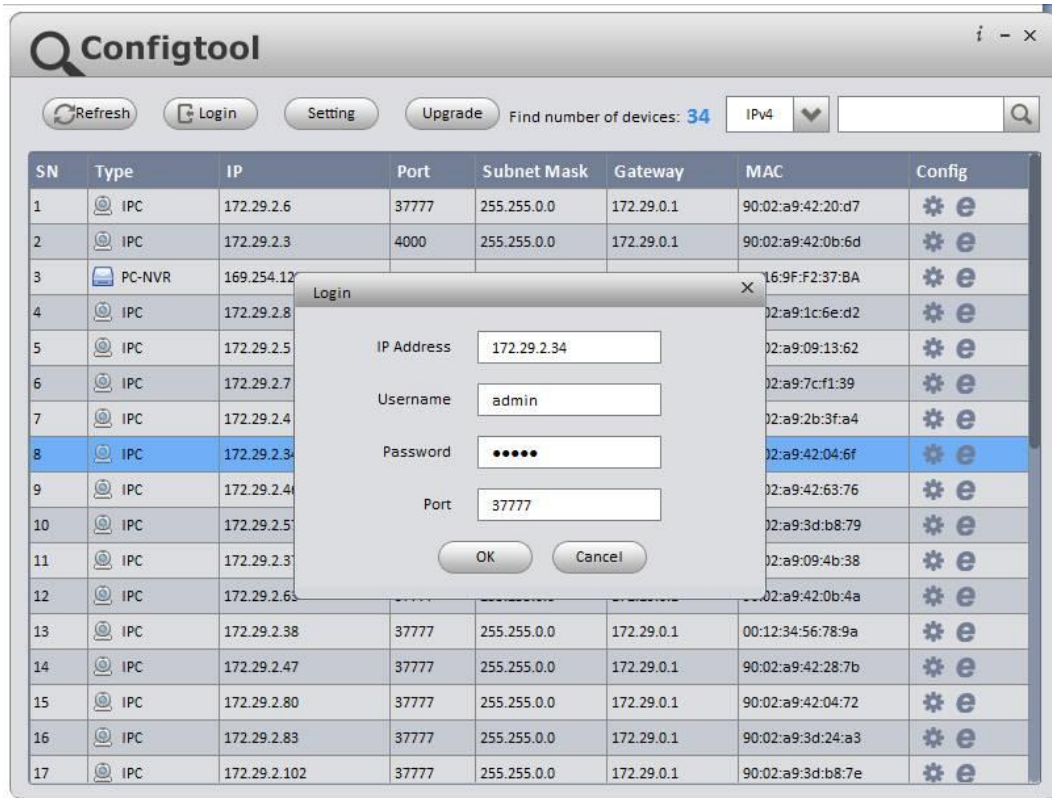


Figure 3-1

#### Step 4

Modify the camera IP address on the “Net” interface, click “Save” to finish modification.

See Figure 3-2 for more details.

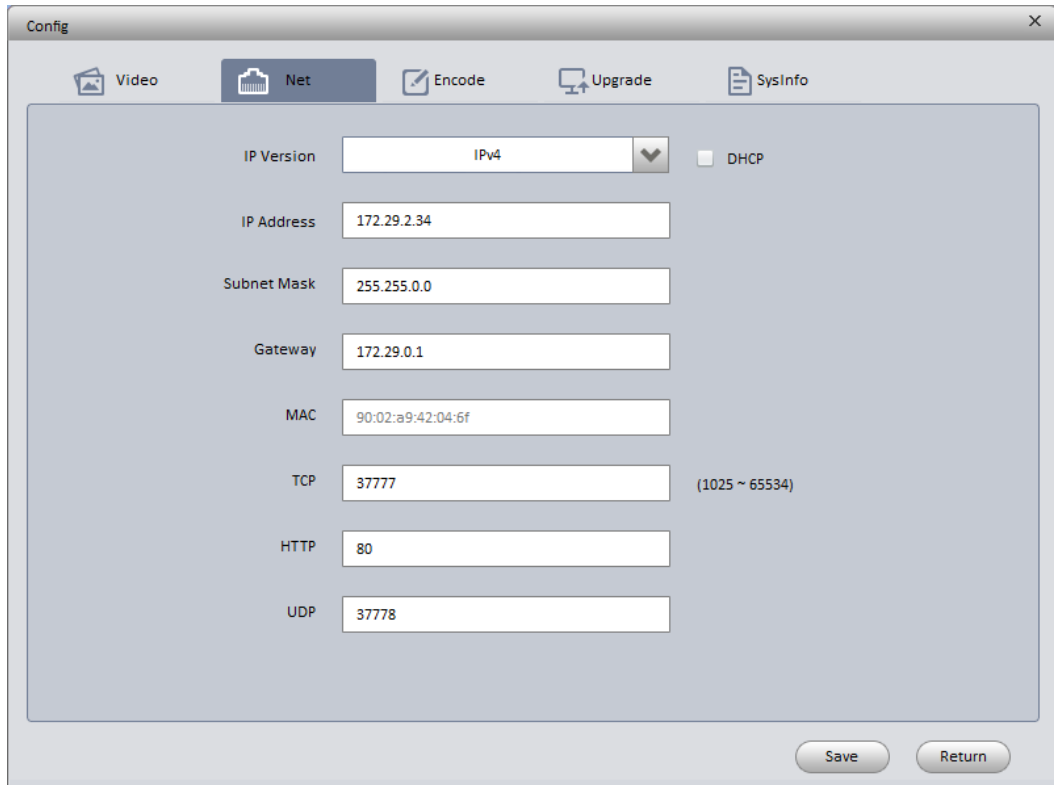


Figure 3-2

## 3.2 Login WEB Interface

Note:

Different devices may have different WEB interfaces, the figures below are just for reference, please refer to the document <<WEB Operation Manual>> in the disk and the actual interface for more details

Step 1

Open IE and input the modified camera IP address in the address bar, press “Enter” button and the system will pop out login dialogue box which is shown in Figure 3-3.

Step 2

Please input your user name and password, click “Login” and then the system will pop out WEB interface.

Note:

The default user name and password are admin and admin respectively, please modify the admin password as soon as possible after you logged in successfully.



Figure 3-3

Step 3

Click “Click here to download and install the plug-in” and install plug-in according to the system prompt, then you can see the WEB main interface which is shown in Figure 3-4.

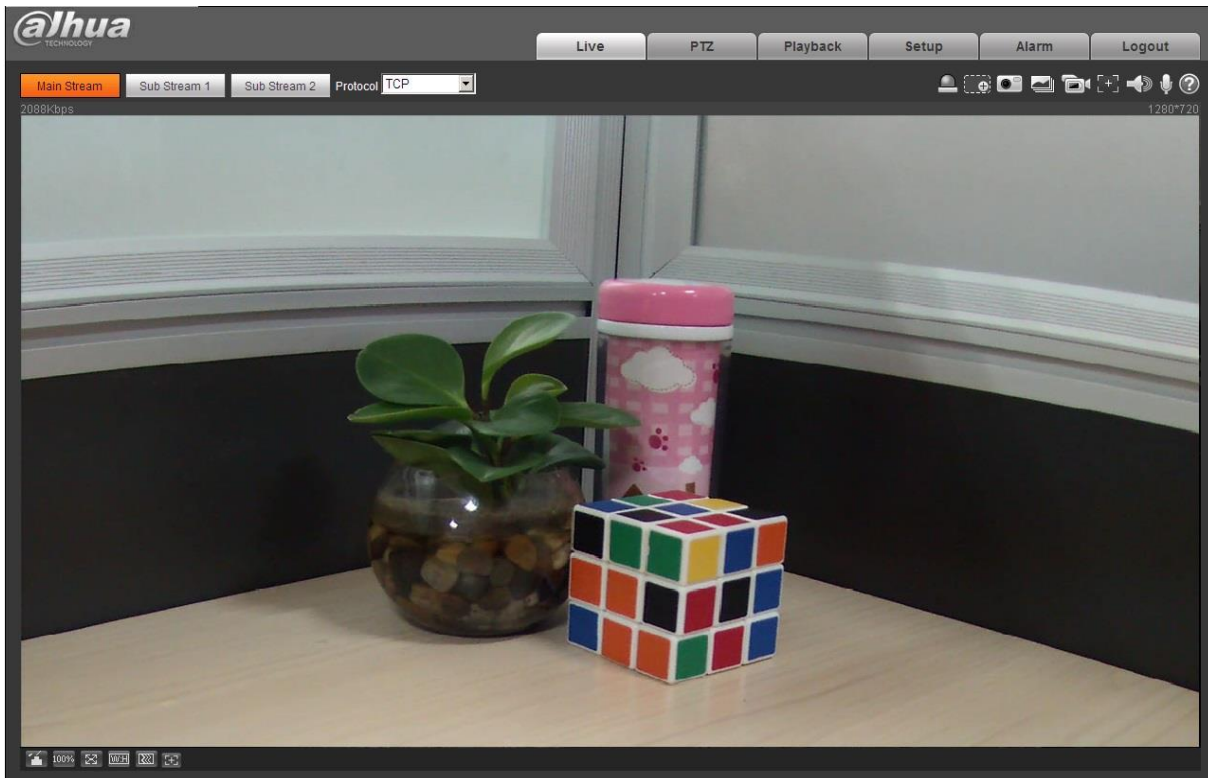


Figure 3-4

**Note:**

- This quick start guide is for reference only. Slight difference may be found in user interface.
- All the designs and software here are subject to change without prior written notice.
- All trademarks and registered trademarks mentioned are the properties of their respective owners.
- If there is any uncertainty or controversy, please refer to the final explanation of us.
- Please visit our website or contact your local service engineer for more information.



**Dahua Technology Co., Ltd**

Address: No.1199 Bin'an Road, Binjiang District, Hangzhou, PRC.

Postcode: 310053

Tel: +86-571-87688883

Fax: +86-571-87688815

Email: [overseas@dahuatech.com](mailto:overseas@dahuatech.com)

Website: [www.dahuasecurity.com](http://www.dahuasecurity.com)