

# - 154 HEATER KIT

DoorKing Part Number

**1601-154**

115 VAC Model  
3.3 Amp

This kit is designed for DoorKing **6050/6100, 6300, 9000, 9024 AC Powered 115 VAC Input power ONLY, 9050/9100, 9150, 1601/1602/1603 and 6550** model gate operators. For cold weather climates where temperatures routinely drop below 10°F (-12°C). A built-in thermostat will automatically control the temperature inside operator housing. Find **your specific operator** on next 8 pages.

## High Voltage AC Input Power for a Gate Operator with a Heater

**DO NOT** use the “high voltage wire size and distance limitations” table in the Installation/Owner’s manuals to determine the high voltage AC input power wire size and distance limitations for the gate operator because of a **much greater** current draw when using the heater. Use the wire run table to determine the wire size and distances for **your chosen gate operator** when a heater is installed.



If the high voltage AC input power wiring is greater than the maximum distance shown, it is recommended that a service feeder be installed.

When large gauge wire is used, a separate junction box must be installed for the operator connection. Wire run calculations are based on NEC 310.15(B)(16) with a maximum voltage drop of 3%. These wire runs are a general guideline but these distances may vary.

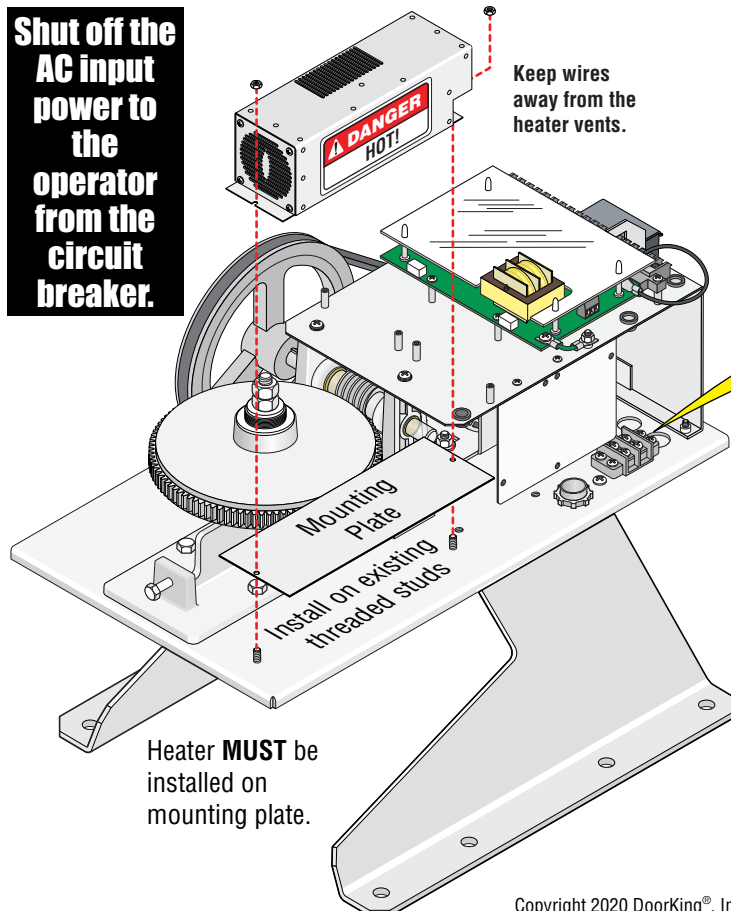
**Never** run low voltage rated wire insulation in the same conduit as high voltage rated wire insulation. Keep them in separate conduits.

## 6050 / 6100

### High voltage AC input wire size and distance limitations for a single gate operator with a heater.

Model	Horsepower	Volts	Operator and Heater Amps	Wire Size / Max Distance in Feet			
				12 AWG	10 AWG	8 AWG	6 AWG
	<b>1/2 HP</b>	115	8.7	100	150	250	400
Wire run distances are shown for a single 6050 operator with heater. In bi-parting (dual) gate applications, reduce the distance by one-half.							
	<b>1/2 HP</b>	115	8.7	100	150	250	400
Wire run distances are shown for a single 6100 operator with heater. In bi-parting (dual) gate applications, reduce the distance by one-half.							

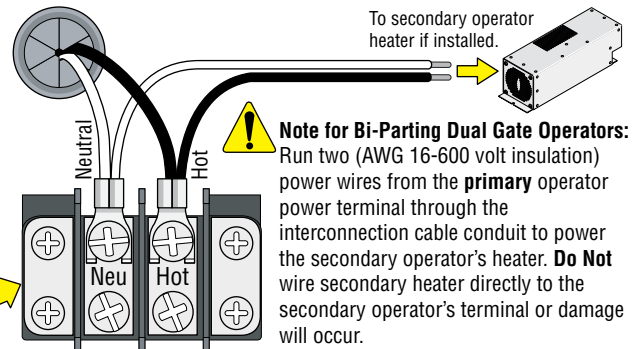
**Shut off the AC input power to the operator from the circuit breaker.**



## Power Connection

Connect the heater power wires.

To secondary operator heater if installed.



**115 VAC Power Terminal**



## Heater Switch



**ON - Normal setting.** Automatically turns the heater and fan **ON** when the temperature drops below 40°F (4°C) inside the operator, and turns the heater and fan **OFF** when the temperature rises above 55°F (13°C) inside the operator.


**OFF - Turns the heater and fan off.**



120 S. Glasgow Avenue  
Inglewood, California 90301 U.S.A.

**IMPORTANT:** DO NOT install this heater kit if your gate operator has the optional **high voltage** kit installed on it.

### High voltage AC input wire size and distance limitations for a single gate operator with a heater.

Model	Horsepower	Volts	Operator and Heater Amps	Wire Size / Max Distance in Feet			
				12 AWG	10 AWG	8 AWG	6 AWG
	1/2 HP	115	8.7	100	150	250	400
	1 HP	115	13.0	60	100	160	260

Wire run distances are shown for a single 6300 operator with heater. In bi-parting (dual) gate applications, reduce the distance by one-half.

### Heater Switch

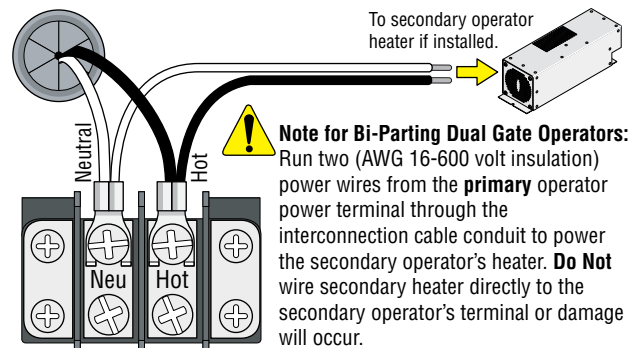


**ON** - Normal setting. Automatically turns the heater and fan **ON** when the temperature drops below 40°F (4°C) inside the operator, and turns the heater and fan **OFF** when the temperature rises above 55°F (13°C) inside the operator.

**OFF** - Turns the heater and fan off.

### Power Connection

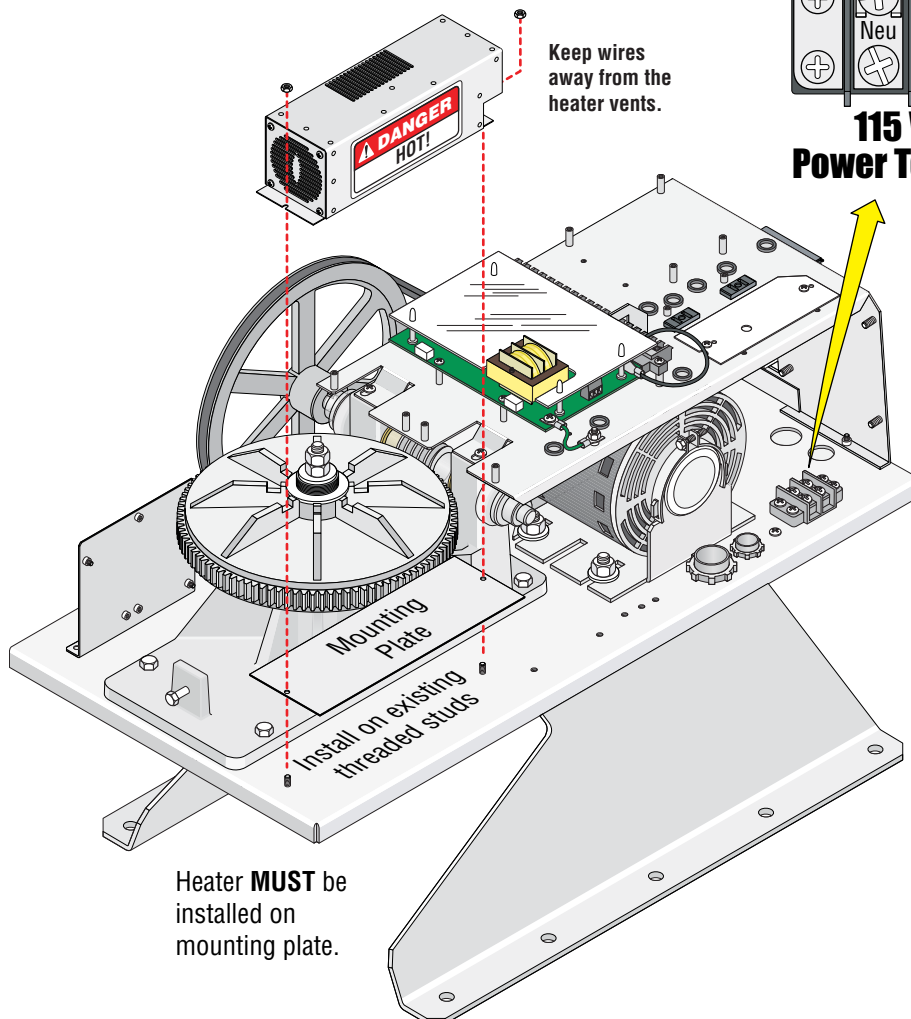
Connect the heater power wires.



**115 VAC**  
**Power Terminal**




**Shut off the AC input power to the operator from the circuit breaker.**



Heater **MUST** be installed on mounting plate.

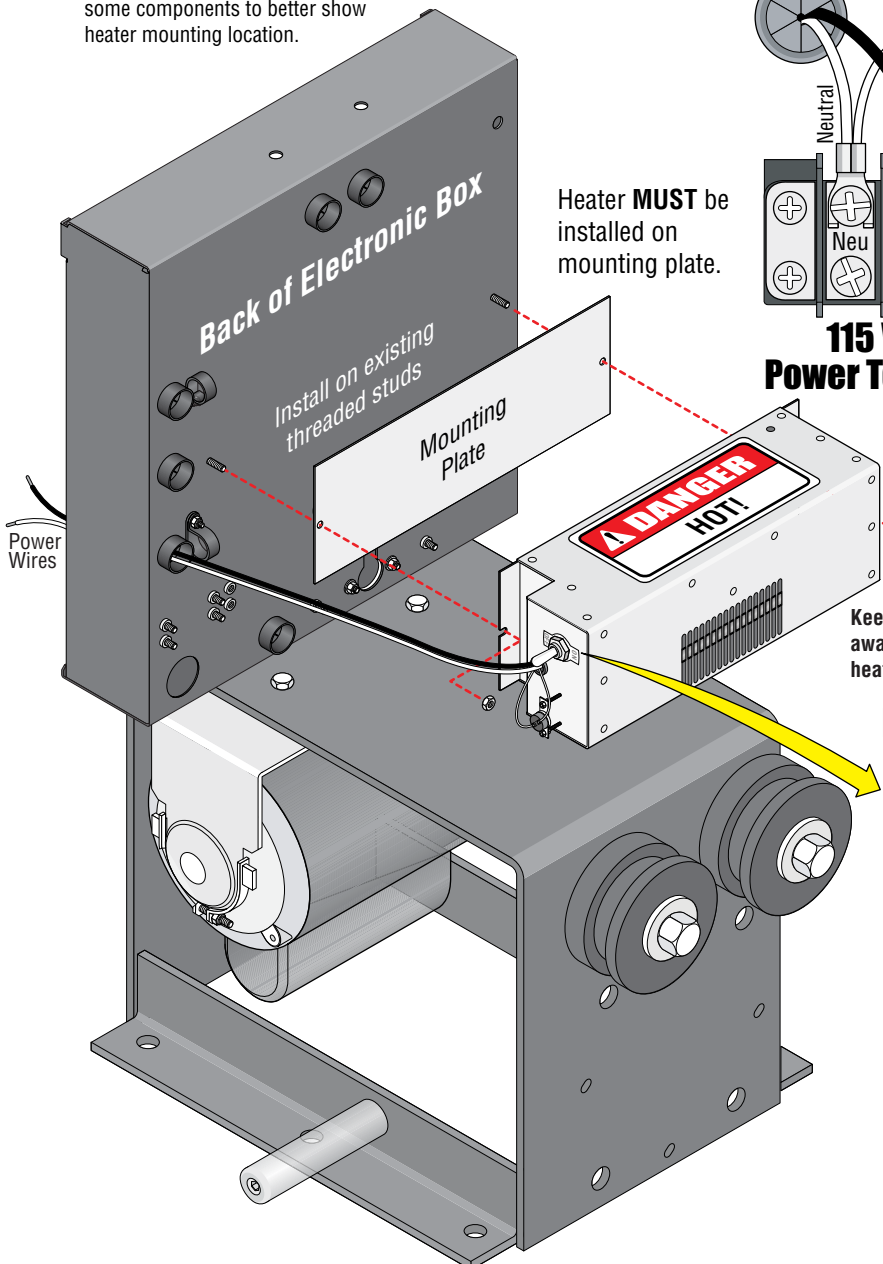
**IMPORTANT:** DO NOT install this heater kit if your gate operator has the optional **high voltage kit** installed on it.

### High voltage AC input wire size and distance limitations for a single gate operator with a heater.

Model	Horsepower	Volts	Operator and Heater Amps	Wire Size / Max Distance in Feet			
				12 AWG	10 AWG	8 AWG	6 AWG
	1/2 HP	115	8.7	100	150	250	400
	1 HP	115	13.0	60	100	160	260

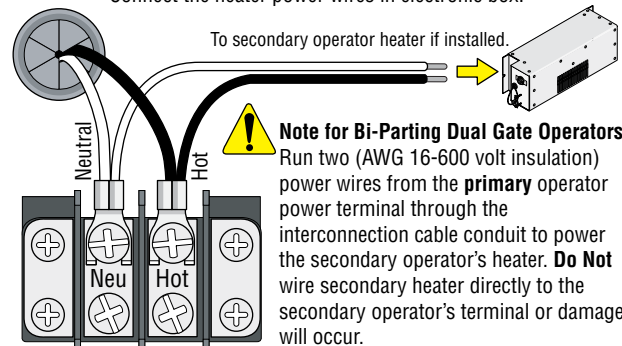
Wire run distances are shown for a single 9000 operator with heater. In bi-parting (dual) gate applications, reduce the distance by one-half.

**Note:** Operator illustrated without some components to better show heater mounting location.



### Power Connection

Connect the heater power wires in electronic box.



**DANGER**  
HIGH VOLTAGE!

**Shut off the AC input power to the operator from the circuit breaker.**

### Heater Switch




**ON - Normal setting.** Automatically turns the heater **ON** when the temperature drops below 40°F (4°C) inside the operator, and turns the heater **OFF** when the temperature rises above 55°F (13°C) inside the operator.

**OFF - Turns the heater off.**

# 9024 AC Powered 115 VAC ONLY

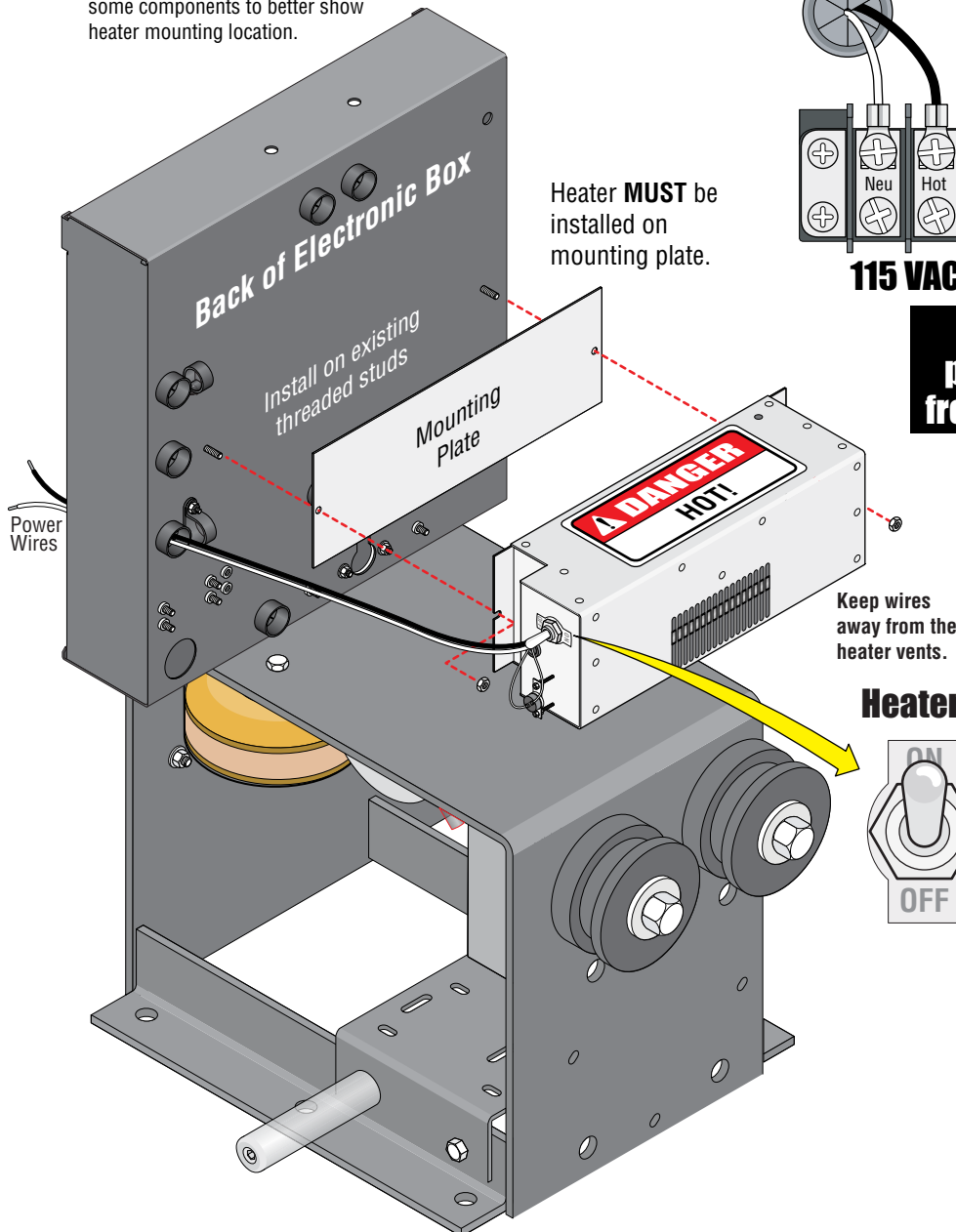
DoorKing Part Number  
**1601-154**

## High voltage AC input wire size and distance limitations for a single gate operator with a heater.

Model	Horsepower	Volts	Operator and Heater Amps	Wire Size / Max Distance in Feet			
				12 AWG	10 AWG	8 AWG	6 AWG
	<b>Quadra Drive DC Motor</b>	115 ONLY	5.1	170	270	430	680

In bi-parting (dual) gate applications, high voltage AC power is required for EACH 9024 AC Powered 115 VAC operator with heater.

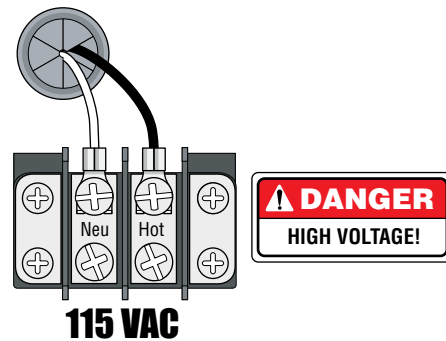
**Note:** Operator illustrated without some components to better show heater mounting location.



Heater **MUST** be installed on mounting plate.

### Power Connection

Connect the heater power wires in electronic box.



**Shut off the AC input power to the operator from the circuit breaker.**

Keep wires away from the heater vents.

### Heater Switch





**ON** - Normal setting. Automatically turns the heater **ON** when the temperature drops below 40°F (4°C) inside the operator, and turns the heater **OFF** when the temperature rises above 55°F (13°C) inside the operator.

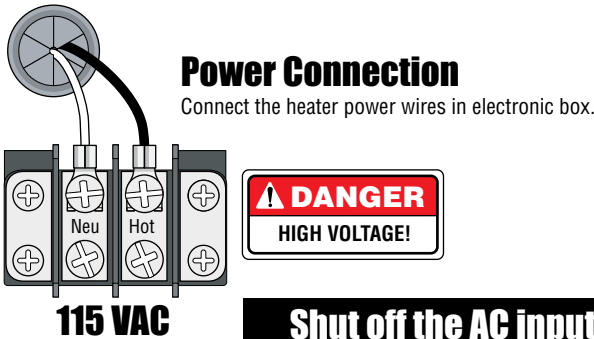
**OFF** - Turns the heater off.



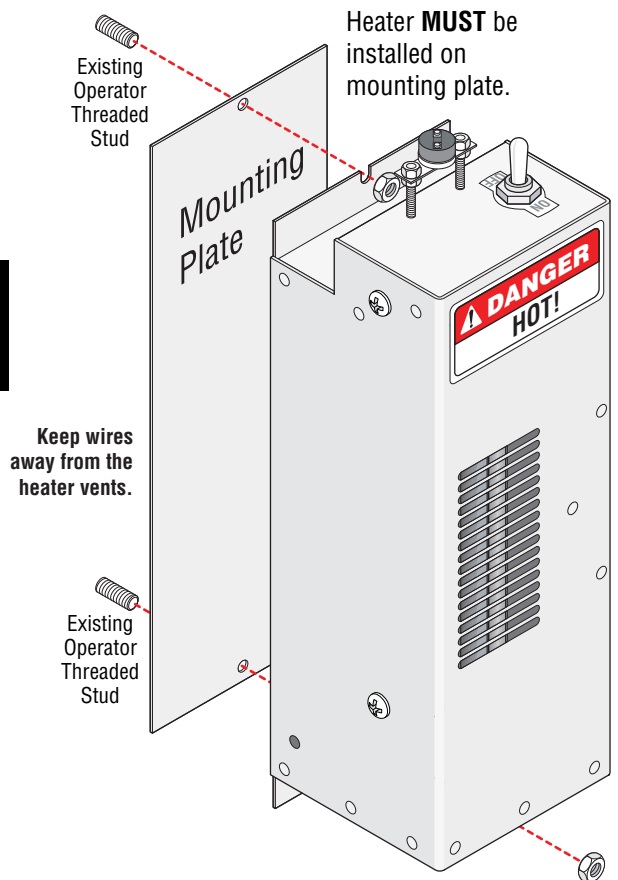
120 S. Glasgow Avenue  
Inglewood, California 90301 U.S.A.

### High voltage AC input wire size and distance limitations for a single gate operator with a heater.

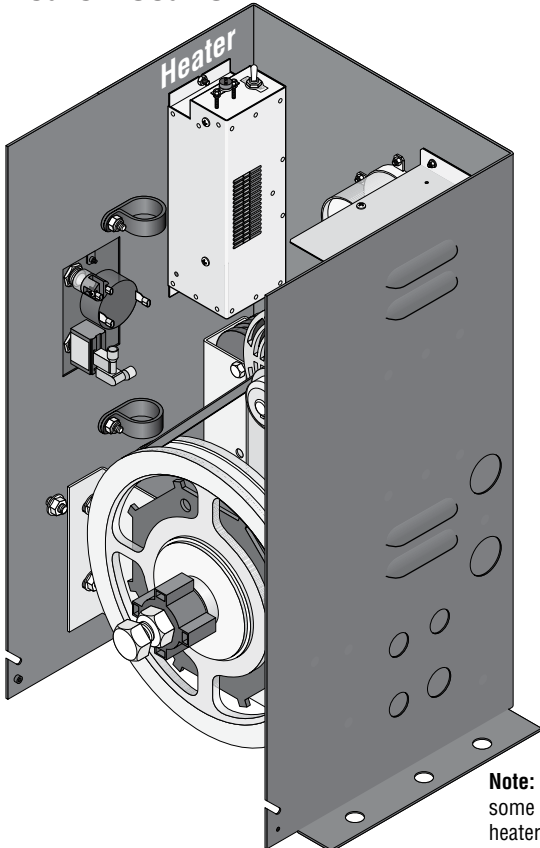
Model	Horsepower	Volts	Operator and Heater Amps	Wire Size / Max Distance in Feet			
				12 AWG	10 AWG	8 AWG	6 AWG
	1/2 HP	115	8.7	100	150	250	400
In bi-parting (dual) gate applications, high voltage AC power is required for EACH 9050 operator with heater.							
	1/2 HP	115	8.7	100	150	250	400
In bi-parting (dual) gate applications, AC input power is required for EACH 9100 operator with heater.							



**Shut off the AC input power to the operator from the circuit breaker.**



### Heater Location



**Note:** Operators illustrated without some components to better show heater mounting location.

### Heater Switch



**ON - Normal setting.** Automatically turns the heater **ON** when the temperature drops below 40°F (4°C) inside the operator, and turns the heater **OFF** when the temperature rises above 55°F (13°C) inside the operator.


**OFF** - Turns the heater off.



120 S. Glasgow Avenue  
Inglewood, California 90301 U.S.A.

**IMPORTANT:** DO NOT install this heater kit if your gate operator has the optional **high voltage kit** installed on it.

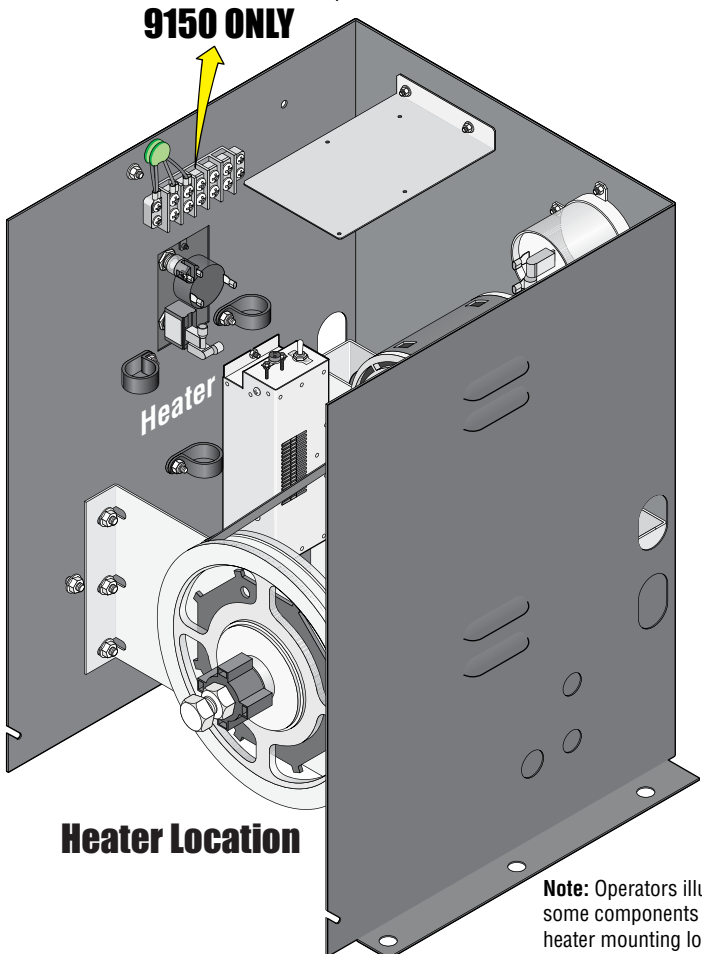
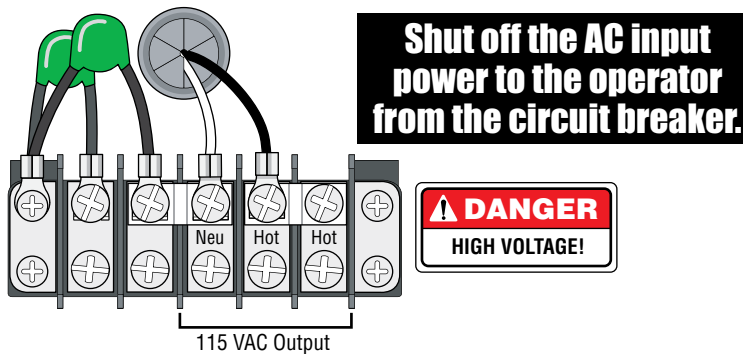
### High voltage AC input wire size and distance limitations for a single gate operator with a heater.

Model	Horsepower	Volts	Operator and Heater Amps	Wire Size / Max Distance in Feet			
				12 AWG	10 AWG	8 AWG	6 AWG
	1/2 HP	115	8.7	100	150	250	400
	1 HP	115	13.0	60	100	160	260

In bi-parting (dual) gate applications, high voltage AC power is required for EACH 9150 operator with heater.

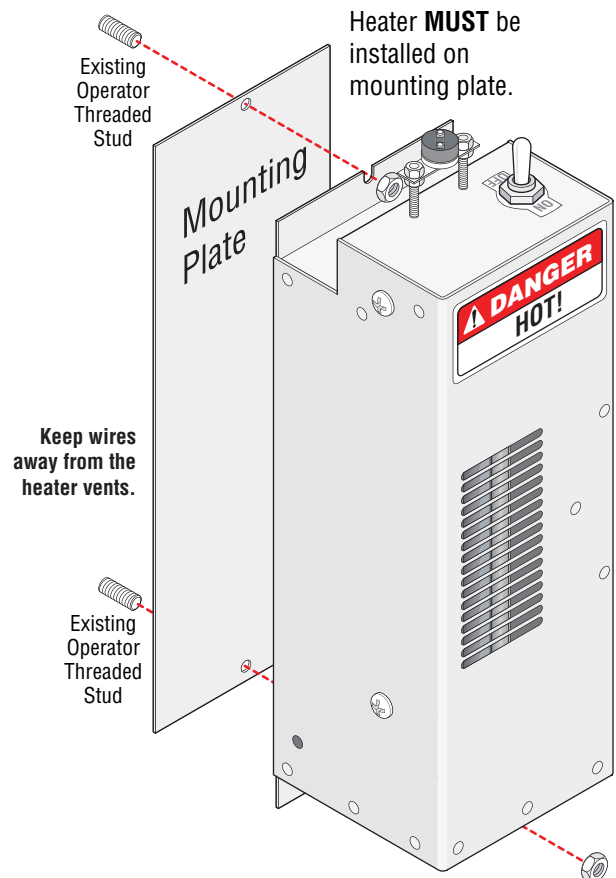
### Power Connection

Connect the heater power wires.



### Heater Location

**Note:** Operators illustrated without some components to better show heater mounting location.



### Heater Switch



**ON - Normal setting.** Automatically turns the heater **ON** when the temperature drops below 40°F (4°C) inside the operator, and turns the heater **OFF** when the temperature rises above 55°F (13°C) inside the operator.

**OFF** - Turns the heater off.



120 S. Glasgow Avenue  
Inglewood, California 90301 U.S.A.

# 1601 / 1602 / 1603 Barrier Gate Operators

DoorKing Part Number  
**1601-154**

**IMPORTANT:** DO NOT install this heater kit if your gate operator has the optional high voltage kit installed on it.

## High voltage AC input wire size and distance limitations for a single gate operator with a heater.

Model	Horsepower	Volts	Operator and Heater Amps	Wire Size / Max Distance in Feet			
				12 AWG	10 AWG	8 AWG	6 AWG
1601 / 1603	1/2 HP	115	8.7	100	150	250	400
1602	1 HP	115	13.0	60	100	160	260

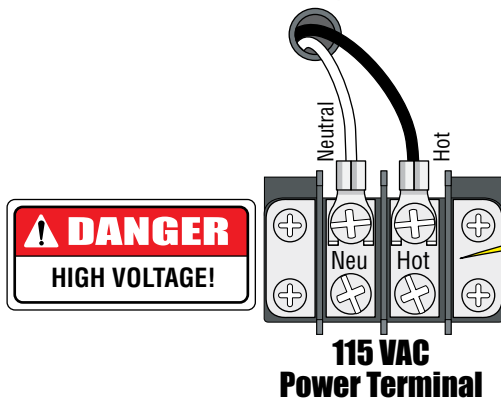
In bi-parting (dual) gate applications, high voltage AC power is required for EACH 1601 or 1602 operator with heater.

**Shut off the AC input power to the operator from the circuit breaker.**

Heater **MUST** be mounted on mounting plate.

### Power Connection

Connect the heater power wires.

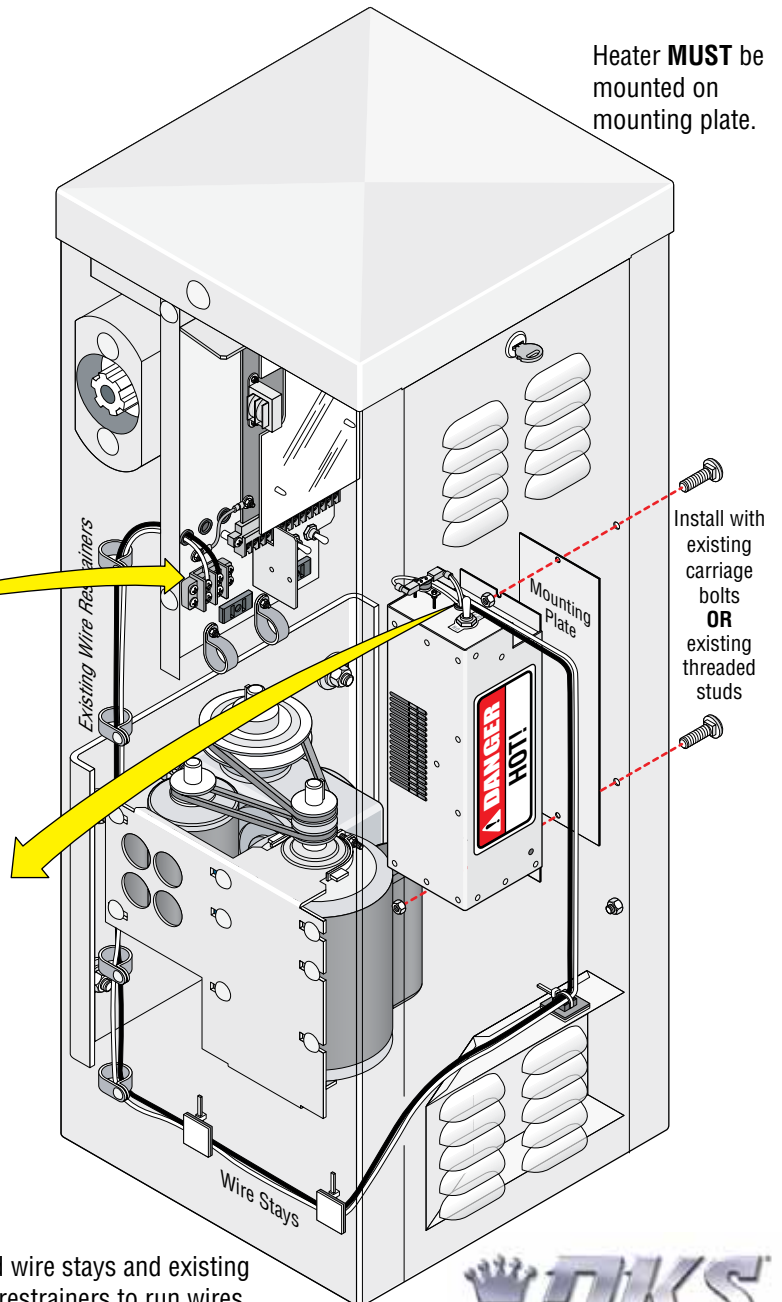


### Heater Switch



**ON** - Normal setting. Automatically turns the heater and fan **ON** when the temperature drops below 40°F (4°C) inside the operator, and turns the heater and fan **OFF** when the temperature rises above 55°F (13°C) inside the operator.

**OFF** - Turns the heater/fan off.



Use supplied wire stays and existing wire restrainers to run wires. **Keep wires clear of all moving parts and the heater vents.**




120 S. Glasgow Avenue  
Inglewood, California 90301 U.S.A.

**6550**

**IMPORTANT:** DO NOT install this heater kit if your gate operator has the optional **high voltage kit** installed on it.

**High voltage AC input wire size and distance limitations for a single gate operator with a heater.**

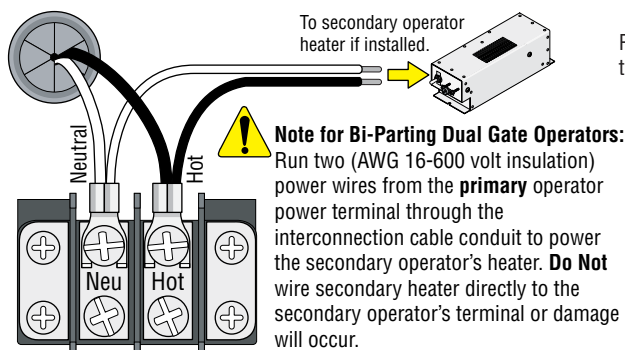
Model	Horsepower	Volts	Operator and Heater Amps	Wire Size / Max Distance in Feet			
				12 AWG	10 AWG	8 AWG	6 AWG
	<b>1 HP</b>	115	13.0	60	100	160	260

Wire run distances are shown for a single 6550 operator with heater. In bi-parting (dual) gate applications, reduce the distance by one-half.

**Shut off the AC input power to the operator from the circuit breaker.**

**Power Connection**

Connect the heater power wires.



**115 VAC Power Terminal**



**Heater Switch**



**ON - Normal setting.** Automatically turns the heater and fan **ON** when the temperature drops below 40°F (4°C) inside the operator, and turns the heater and fan **OFF** when the temperature rises above 55°F (13°C) inside the operator.

**OFF - Turns the heater and fan off.**

